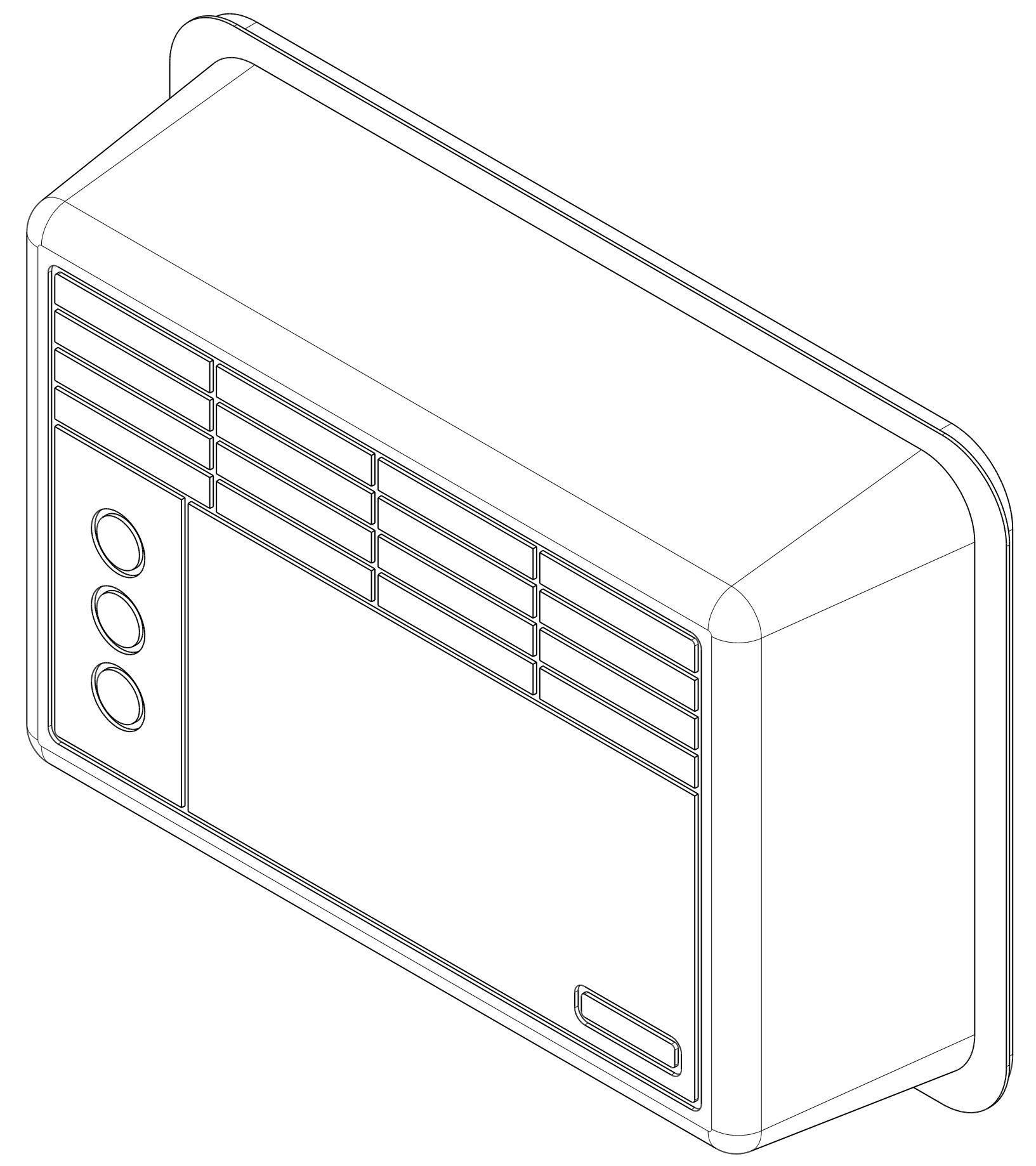
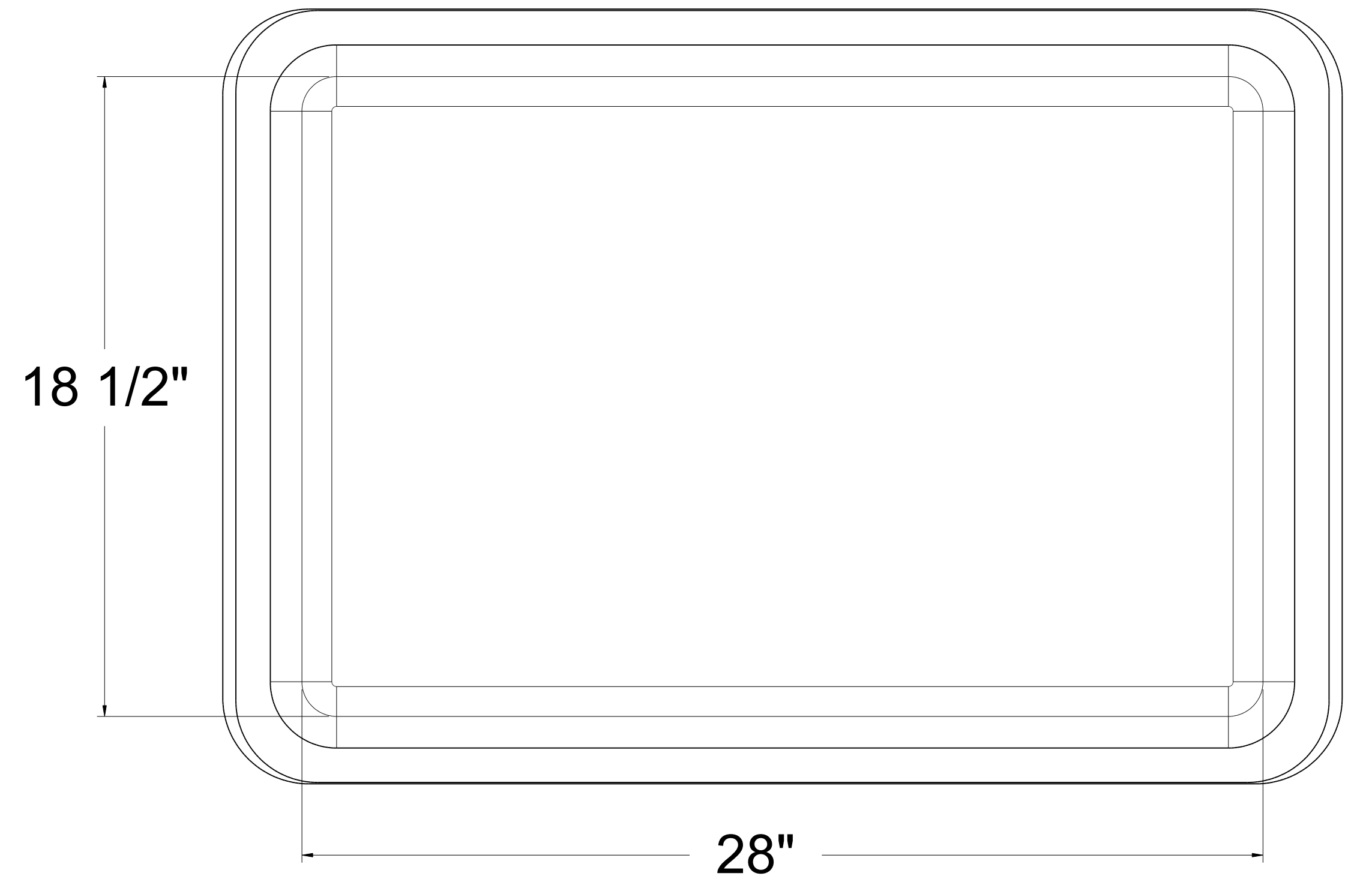
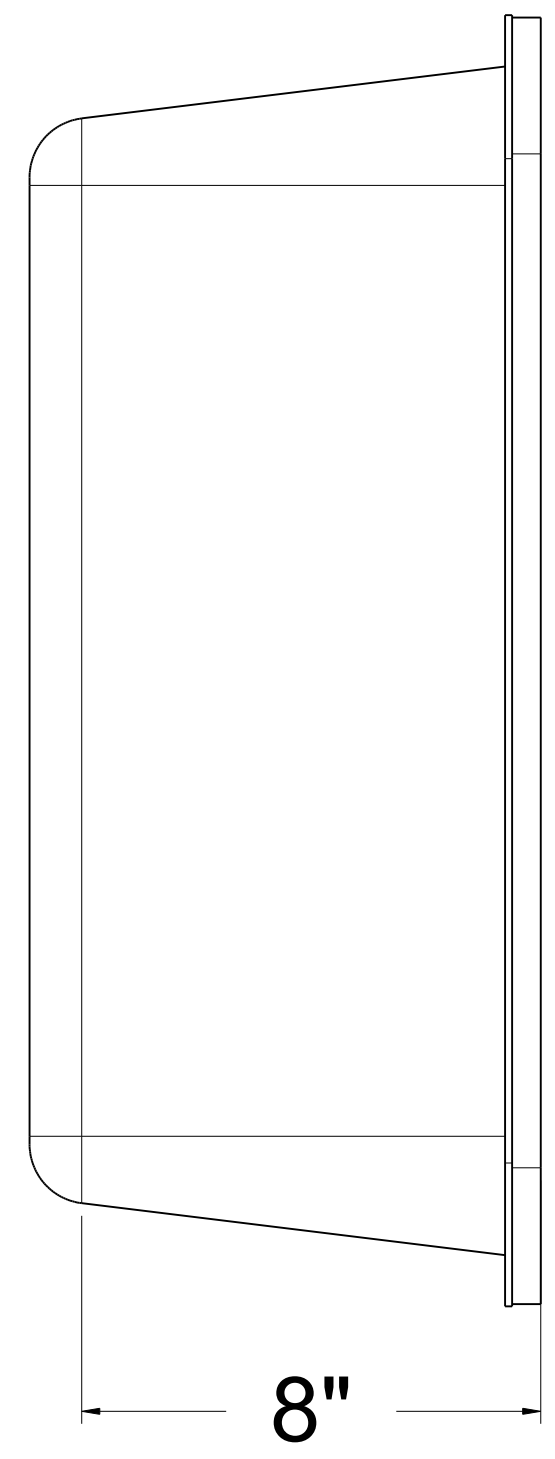
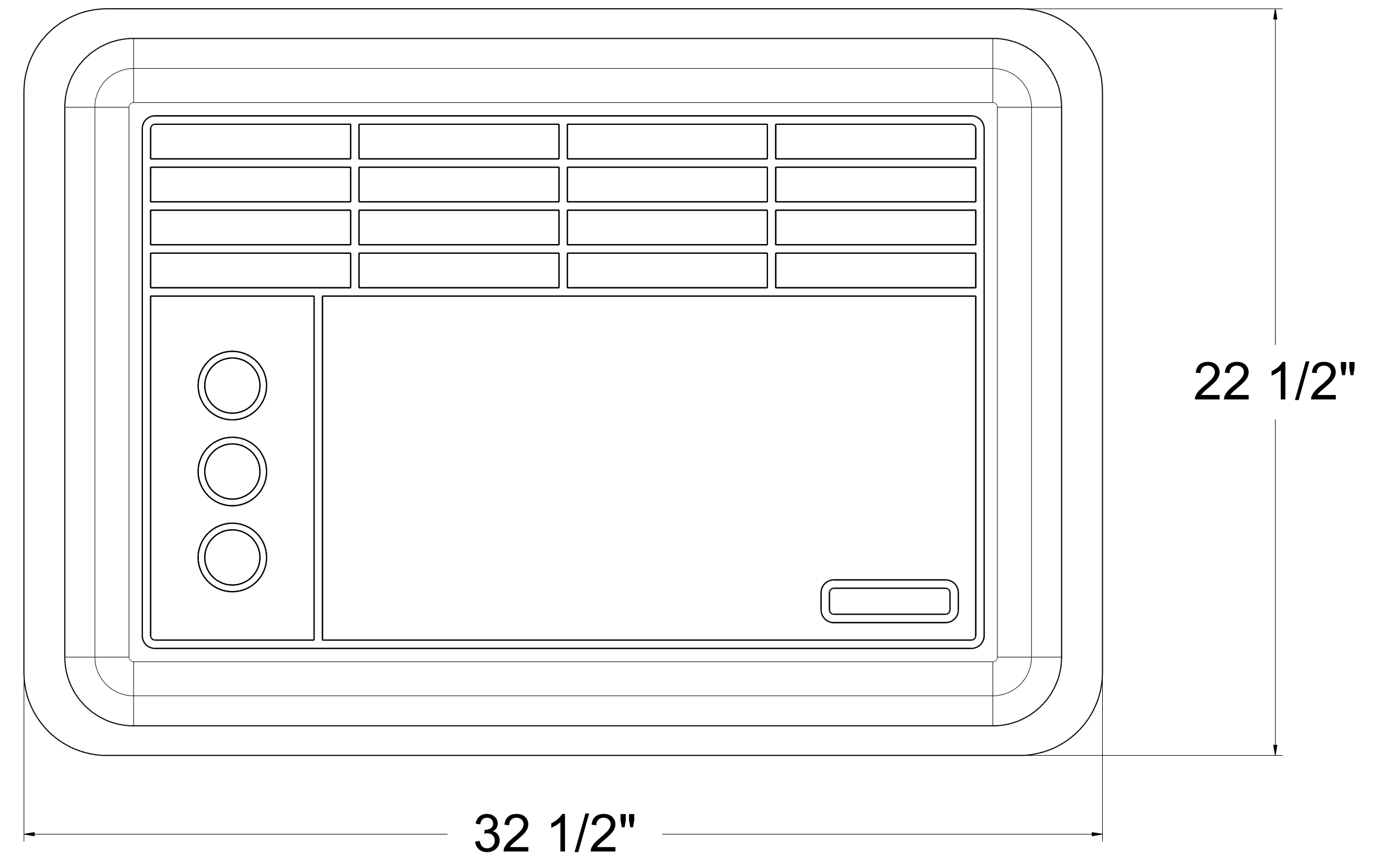


REVISIONS				
ZONE	REV	DESCRIPTION	DATE	APPROVED



<b>MATL:</b> .156 ABS	UNLESS OTHERWISE SPECIFIED DIMENSIONS ARE IN INCHES DECIMAL TOLERANCES ARE: 2PL ± 3PL ± ANG ± 1°	DRAWN DATE 10-28-2015	<b>PN PRODUCTS</b> <b>TRAP-AIR™</b> <b>AC COVER 8"</b>
		CHECKED UPDATED	
		QA	
		MFG	
APPROVED	SIZE D	FSCM NO. DWG NO.	REV

**WARNING:** All drawings are property of PN Products Inc., have copyright protection, and are the sole property of PN Products Inc. Drawings and specifications are issued in strict confidence and shall not be reproduced, copied or used for manufacture or sale of equipment or tooling without prior written permission.

D  
C  
B  
A

D  
C  
B  
A

8 7 6 5 4 3 2 1