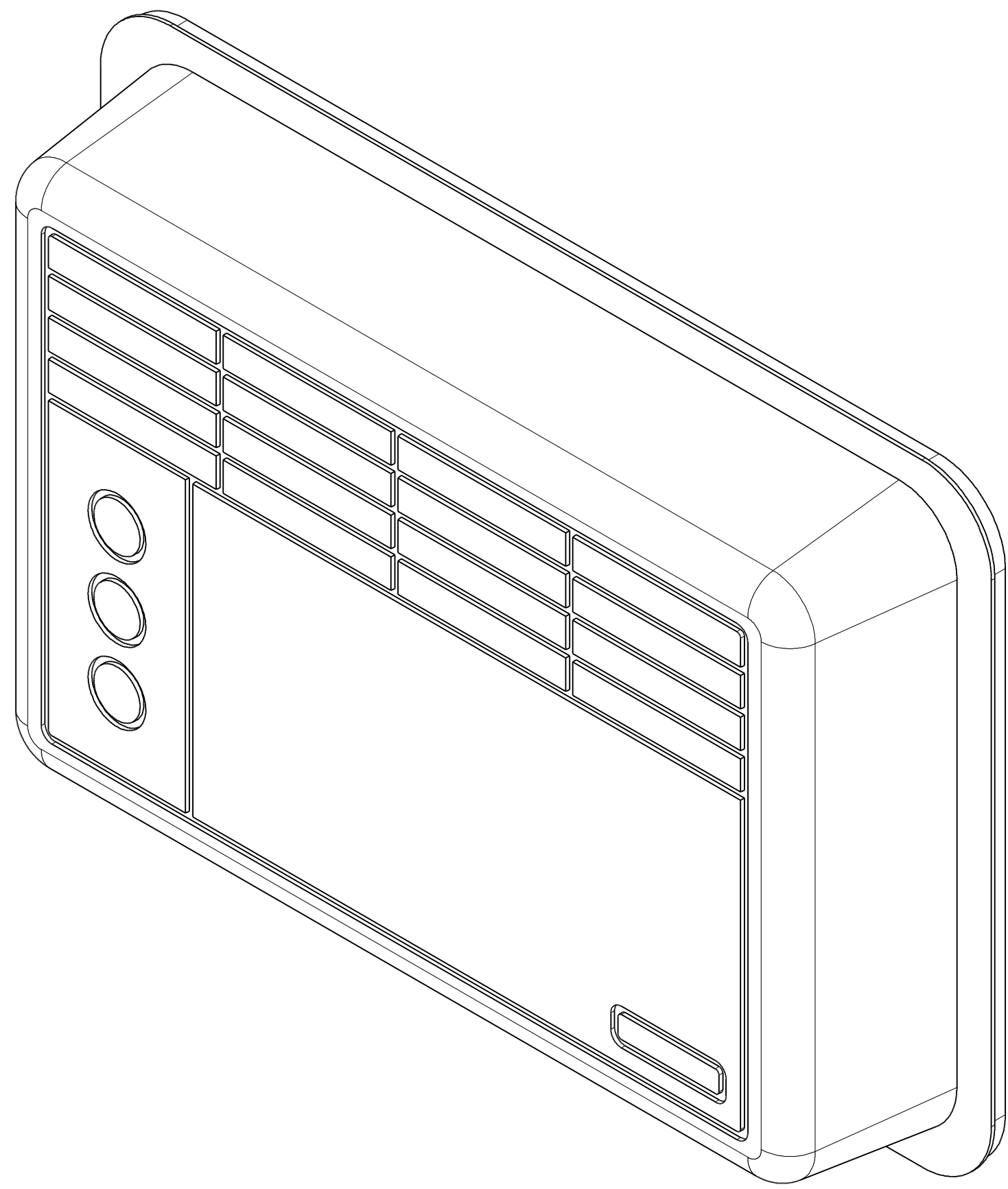
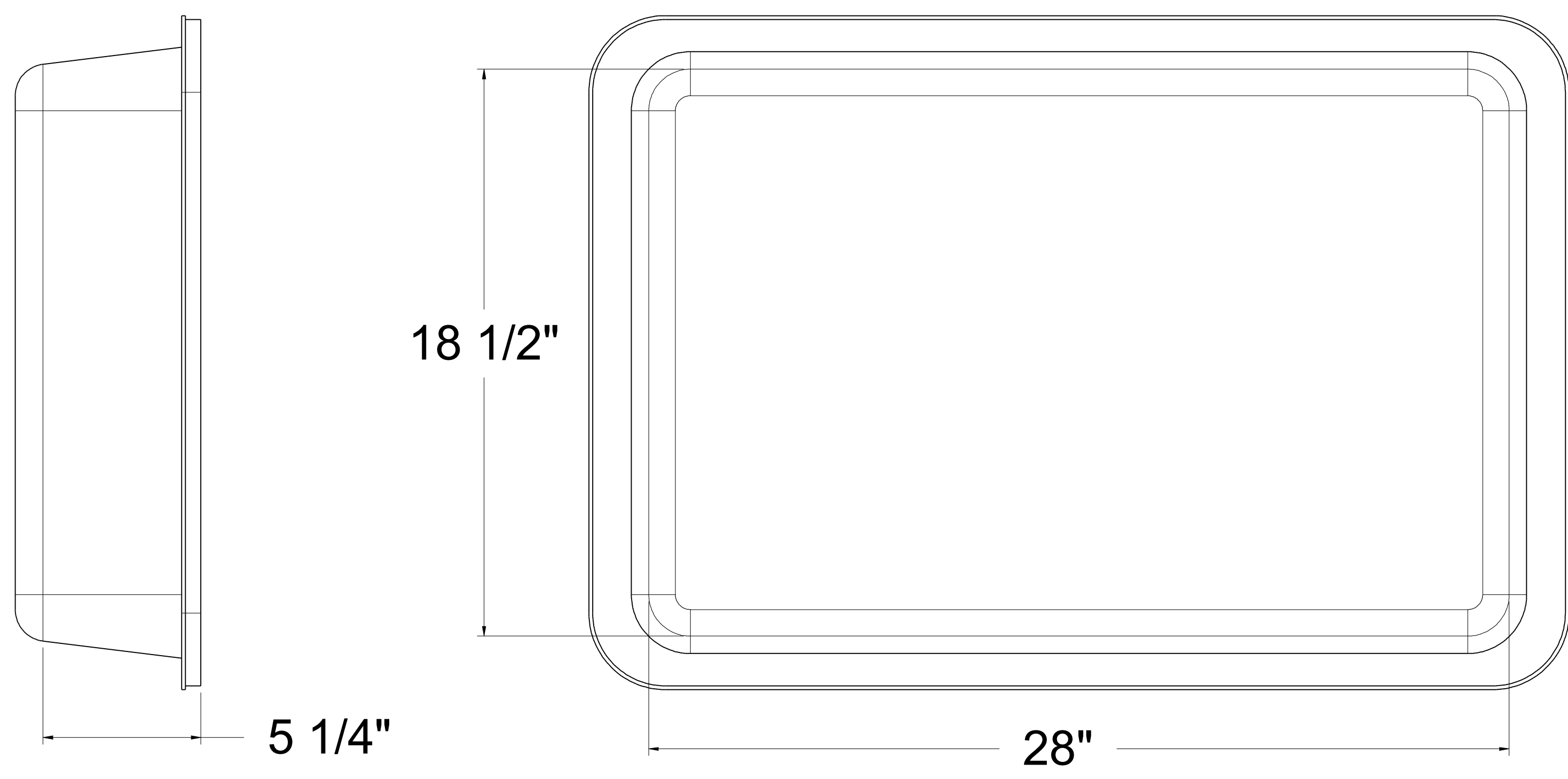
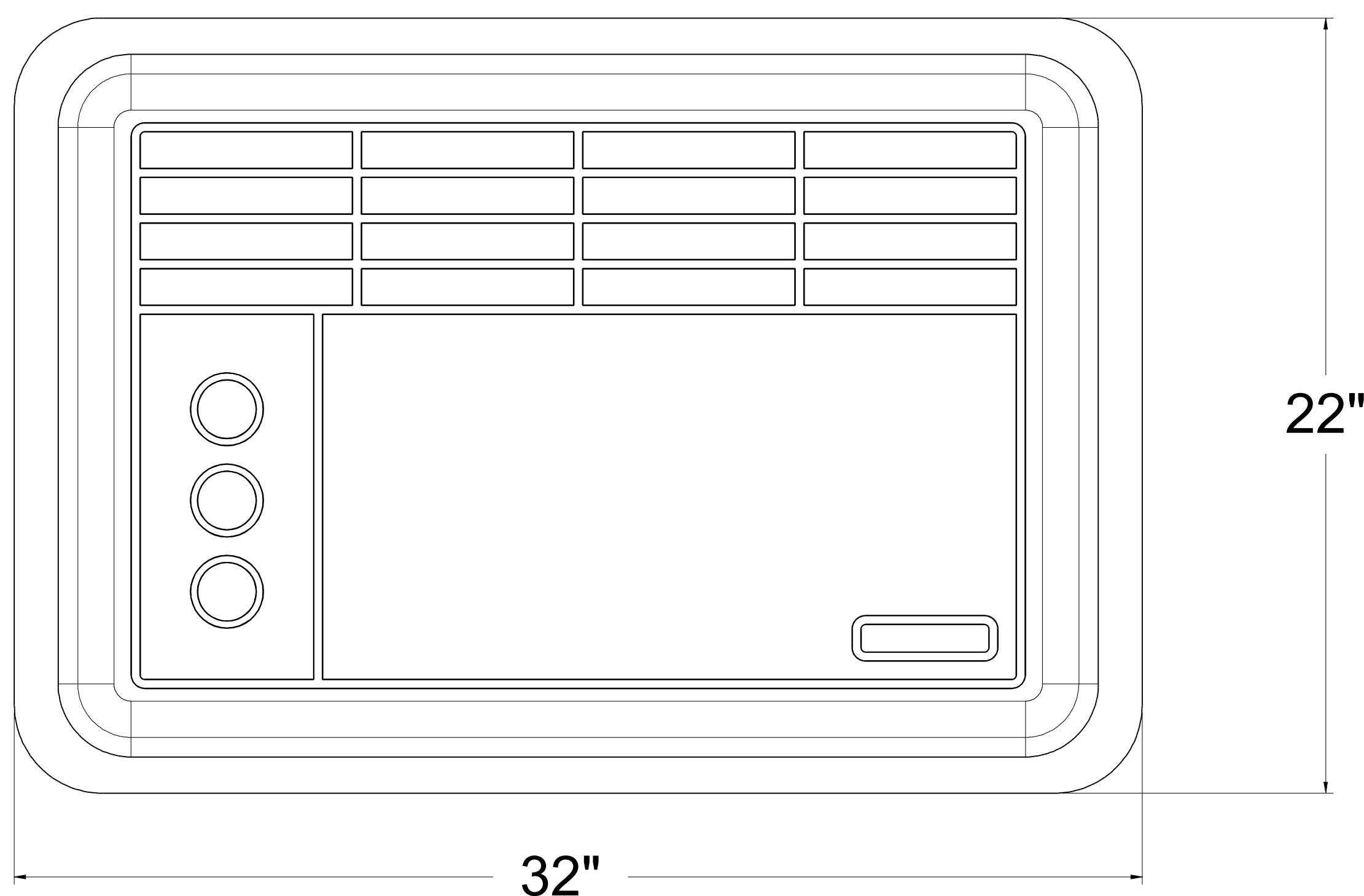


REVISIONS				
ZONE	REV	DESCRIPTION	DATE	APPROVED



**MATL:**  
**.156 ABS**

UNLESS OTHERWISE SPECIFIED  
DIMENSIONS ARE IN INCHES  
DECIMAL TOLERANCES ARE:  
2PL ± 3PL ± ANG ± 1°

DRAWN	DATE
CHECKED	UPDATED
QA	
MFG	
APPROVED	

<b>PN PRODUCTS</b>			
<b>TRAP-AIR™</b>			
<b>AC COVER 5.25"</b>			
SIZE	FSCM NO.	DWG NO.	REV
D			
SCALE			SHEET

**WARNING:** All drawings are property of PN Products Inc., have copyright protection, and are the sole property of PN Products Inc. Drawings and specifications are issued in strict confidence and shall not be reproduced, copied or used for manufacture or sale of equipment or tooling without prior written permission.