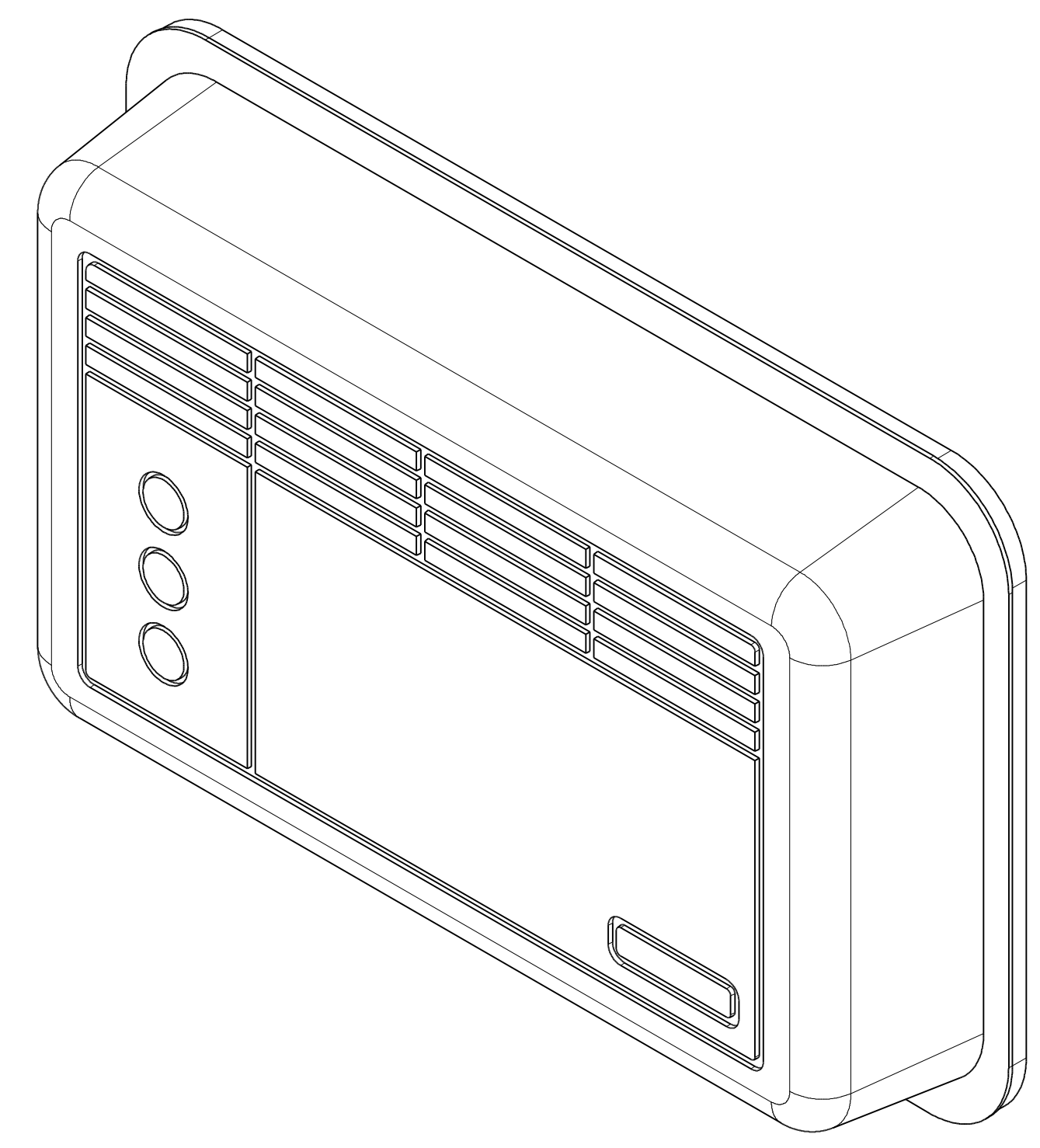
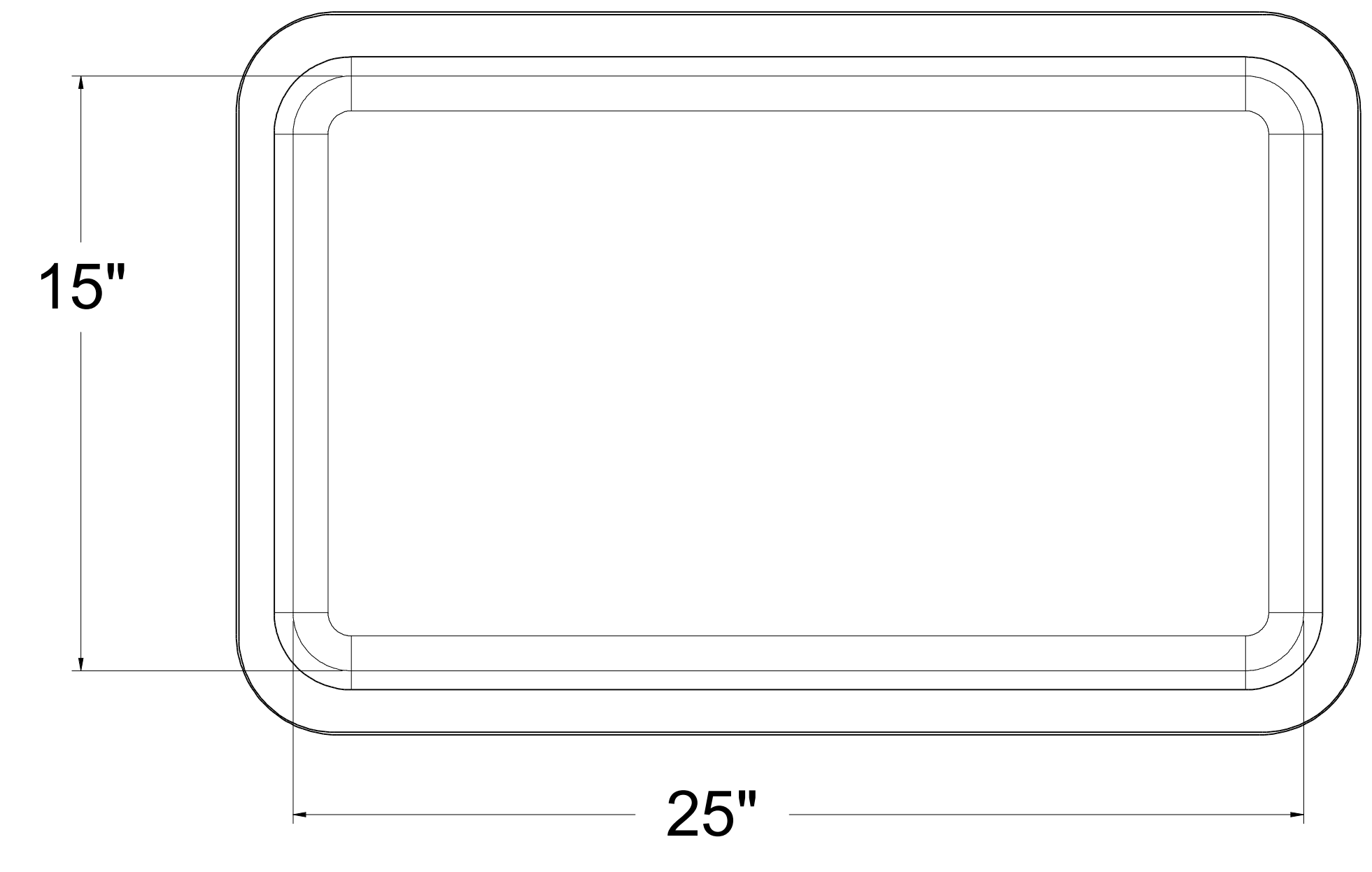
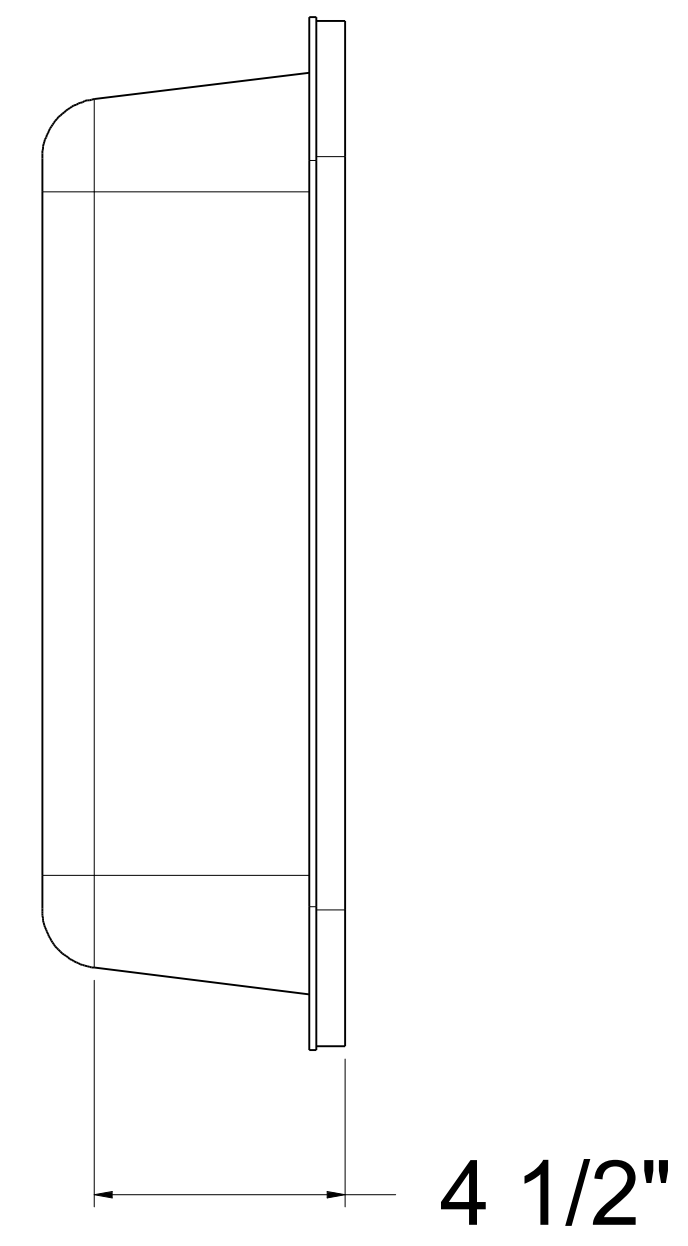
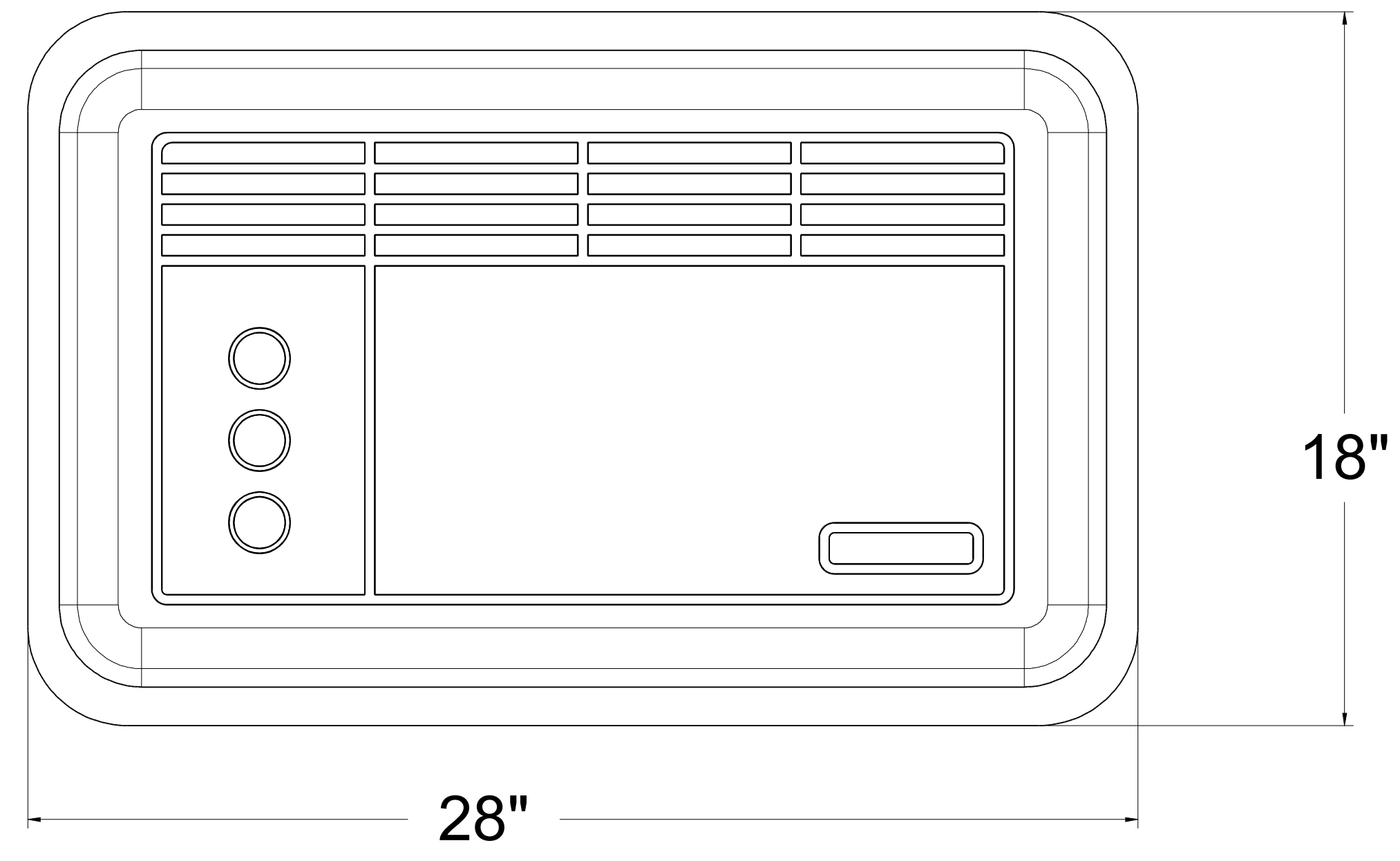


REVISIONS				
ZONE	REV	DESCRIPTION	DATE	APPROVED



MATL: .156 ABS	UNLESS OTHERWISE SPECIFIED DIMENSIONS ARE IN INCHES DECIMAL TOLERANCES ARE: 2PL ± 3PL ± ANG ± 1°	DRAWN DATE 10-28-2015	PN PRODUCTS TRAP-AIR™ AC COVER 4.5"	
		CHECKED UPDATED		
		QA		
		MFG		
APPROVED	SIZE D	FSCM NO.	DWG NO.	REV

WARNING: All drawings are property of PN Products Inc., have copyright protection, and are the sole property of PN Products Inc. Drawings and specifications are issued in strict confidence and shall not be reproduced, copied or used for manufacture or sale of equipment or tooling without prior written permission.

D
C
B
A

D
C
B
A

8 7 6 5 4 3 2 1